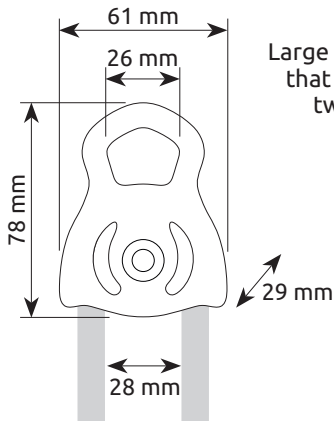


A compact and lightweight pulley with rotating flanges and a large attachment point that accommodates two carabiners. For use with ropes up to 13 mm. Prusik minding, the self-locking knot can be installed on both sides. Self-lubricated bushings are sufficient for light applications at low speed. Efficiency: 80%. Aluminum alloy body and wheel, stainless steel axle.



Large connection point that accommodates two carabiners

Movable flanges

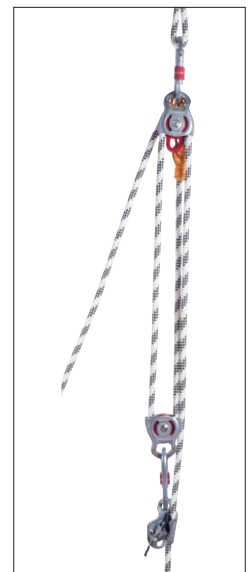
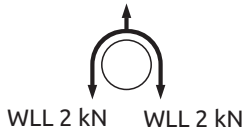
Self-lubricated bushings

Prusik minding, the self-locking knot can be installed on both sides

TETHYS BLACK
215403



MBL 24 kN WLL 4 kN



Ref.	Product name	Weight		Inner sheave diameter	Rope diameter	Working load max	Breaking load	CE	EN 12278	EAC
		g	oz	mm	Max - mm	kN	kN			
2154	TETHYS	100	3.5	28	13	2 kN x 2 = 4 kN	24	•	•	
215403	TETHYS BLACK									